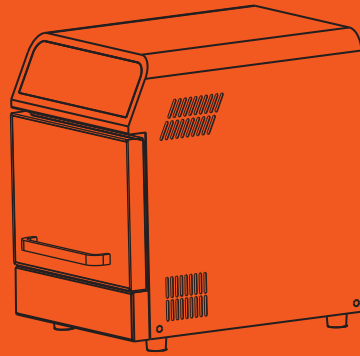


iLuxCure Dental



Quick Start Guide

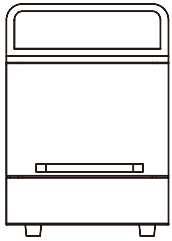
Contact and Support

T: +1 (650) 336-0888

E: support@luxcreo.com

A: 940 Old County Rd, Belmont, CA 94002

01 Package Contents



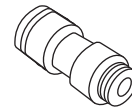
iLuxCure Dental



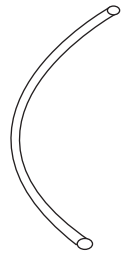
Power Cable



Tray

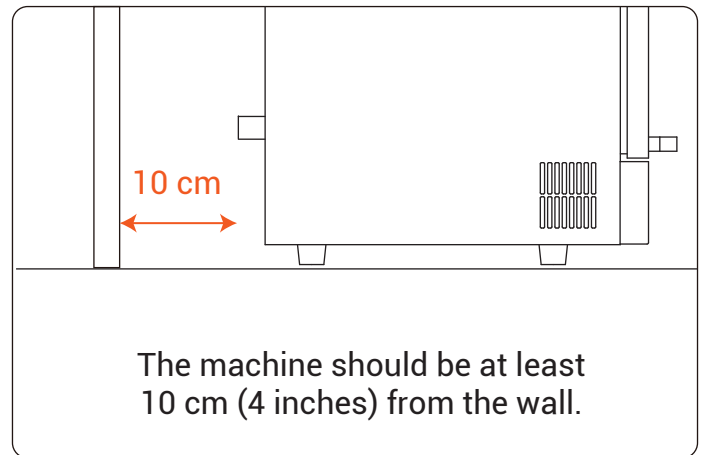
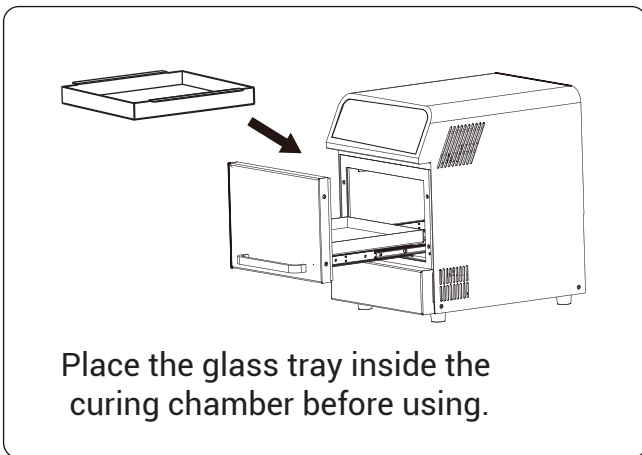


Push-in Connector
(8-6 mm)



Hose
(Ø6 mm, L20 cm)

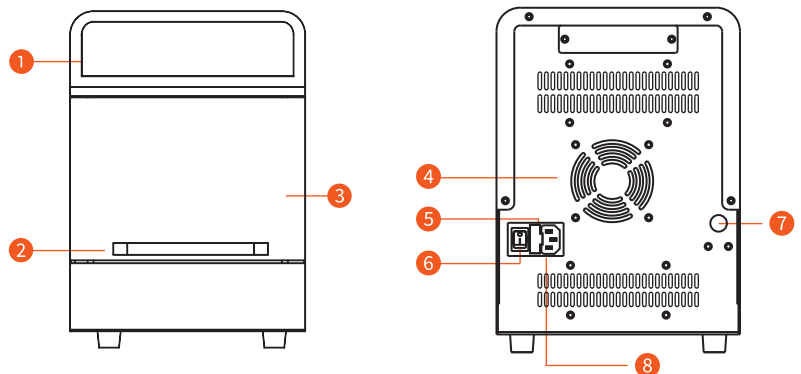
02 Where to Install



The equipment is designed to be used in an ambient temperature range of 22°C to 32 °C. It is recommended to let the equipment stand for >1hr at this ambient temperature before turning it on to avoid triggering the ER1 of the device.

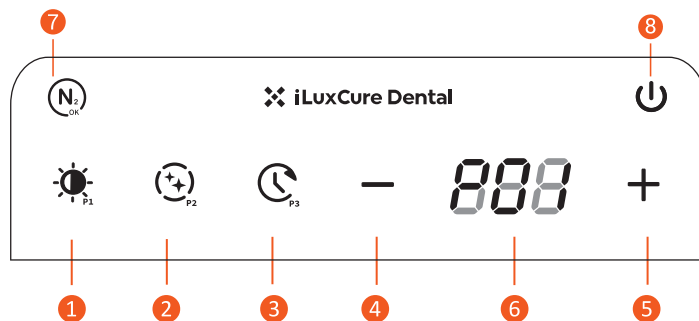
03 Plug in Your iLuxCure Dental

- 01. Operation Panel
- 02. Handle
- 03. Door
- 04. Cooling Fan
- 05. Fuse
- 06. Power Switch
- 07. N₂ Push-in Fitting
- 08. Outlet



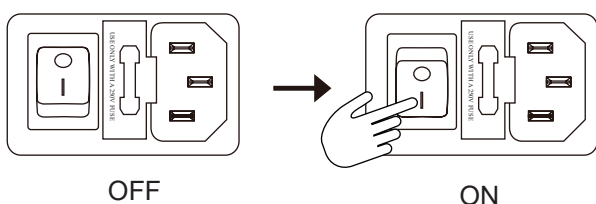
04 Functions

01. : Adjust the light intensity from 15% to 100%.
02. : Adjust the duty cycle from 10% to 100%.
03. : Adjust the working time between 1-60 min with 1 min interval.
04. : Decrease the level of intensity, duty cycle, working time and memory setting. Press and hold the button for fast setting value decrease.
05. : Increase the level of intensity, duty cycle, working time and memory setting. Press and hold the button for fast setting value increase.
06. Display : Indicate numerical value and remaining seconds.
07. : Nitrogen purge.
08. : Start / stop curing.



05 Basic Operation

Turn on the Power Switch.



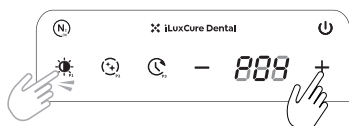
Memory Mode

1. P01-P12: 12 memory slots.
2. How to retrieve program setting for each slot?

(1) P01-P03: Use fast keys. Double-click either of fast keys , , to call up the P01/P02/P03, respectively, and click , , to view settings for the selected slot.

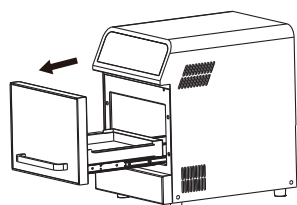


(2) P04-P12: After calling up any of P01-P03 using fast keys, press "+" or "-" to according memory slot, and click , , to view settings for the selected slot.



Pause Curing during the Operation

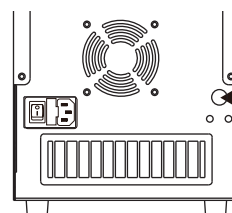
Curing will be paused once the door is opened. The button will start flashing as well.



Memory Slot Extraction

	Resin Name	Application
P01	GMR	Dental Model
	Dreve Fotodent Tray2 (all colors)	Impression Tray
P02	DMR III	Ortho Model Resto Model
	Tuffsplint	Splints/Nightguard
	Dreve Fotodent Gingiva	Gingiva Mask
P03	DNG Hard	Splints/Nightguard
	Detax Freeprint Crown	Crown and Bridge
P04	DCA	Aligner/Retainer
P05	DSG (Fast)	Surgical Guide
P06	Fotodent IBT	IBT
P07	Mid Intensity- Long	
P08	DSG (Standard)	Surgical Guide
P09	Low Intensity- Med	
P10	Low Intensity- Long	
P11	KeySplint Soft	Splints/Nightguard
P12	P02 70% DC	

06 Set Nitrogen Purge



Use the O.D. 6 mm (1/4") hose to connect the nitrogen source and the N₂ Push-in Fitting.

* O.D.: Outside Diameter



Press the button. After setting, press to start N₂ purge.

